



REPUBLIC OF THE PHILIPPINES
DEPARTMENT OF FINANCE
BUREAU OF CUSTOMS
Manila 1099

Bids and Awards Committee
SUPPLEMENTAL/BID BULLETIN

ADDENDUM NO. 1

Supply, Delivery, Installation, Testing and Commissioning of Generator Sets with Automatic Transfer Switch

This Addendum No. 1 dated June 3, 2015 is issued to clarify, modify or amend items in the Bid Documents. This shall form an integral part of the Bid Documents.

ISSUES	CLARIFICATION/AMENDMENTS
<p>A. Section III. Bid Data Sheet</p> <p>Item 5.4. The bidder must have completed, two (2) years prior to June 3, 2015, a single contract that is similar to the Project at hand and whose value must be at least fifty percent (50%) of the ABC to be bid. Such contract must be part of, or included in, the Statement under Item 12.1(a)(iii) hereof.</p> <p>B. Section VI. Schedule of Requirements</p> <p>Item 1. Description/Model Brand New Genset 32KVA, 3Phase, 220/240V, 60Hz with 80Amps ATS including all electrical and civil works.</p> <p>C. Section VII. Technical Specifications</p> <p>80Amps ATS with 32KVA (Brand New)</p>	<p>➤ The bidder must have completed, three (3) years prior to June 3, 2015, a single contract that is similar to the Project at hand and whose value must be at least fifty percent (50%) of the ABC to be bid. Such contract must be part of, or included in, the Statement under Item 12.1(a)(iii) hereof. Bidders shall accomplish and submit the Single Largest Completed Contract which is similar in nature.</p> <p>➤ Brand New Genset 32KVA, 3Phase, 220/240V, 60Hz with 100Amps ATS including all electrical and civil works.</p> <p>➤ The following additional technical specifications and clarifications shall form part of the bidding documents:</p> <ul style="list-style-type: none"> • The Automatic Transfer Switch is Breaker Type. <p>➤ The Generator type is changed to 100Amps ATS with 32KVA (Brand New)</p> <p>Item 3 of the Electric Generating Set. Noise Level: change to "85dB or below at 3 meters"</p> <p>Item 5 of the Electric Generating Set. Number of Cylinders: change to "three (3) or Four (4)"</p>

Bid Form

Date: _____

To: *[name and address of Procuring Entity]*

Gentlemen and/or Ladies:

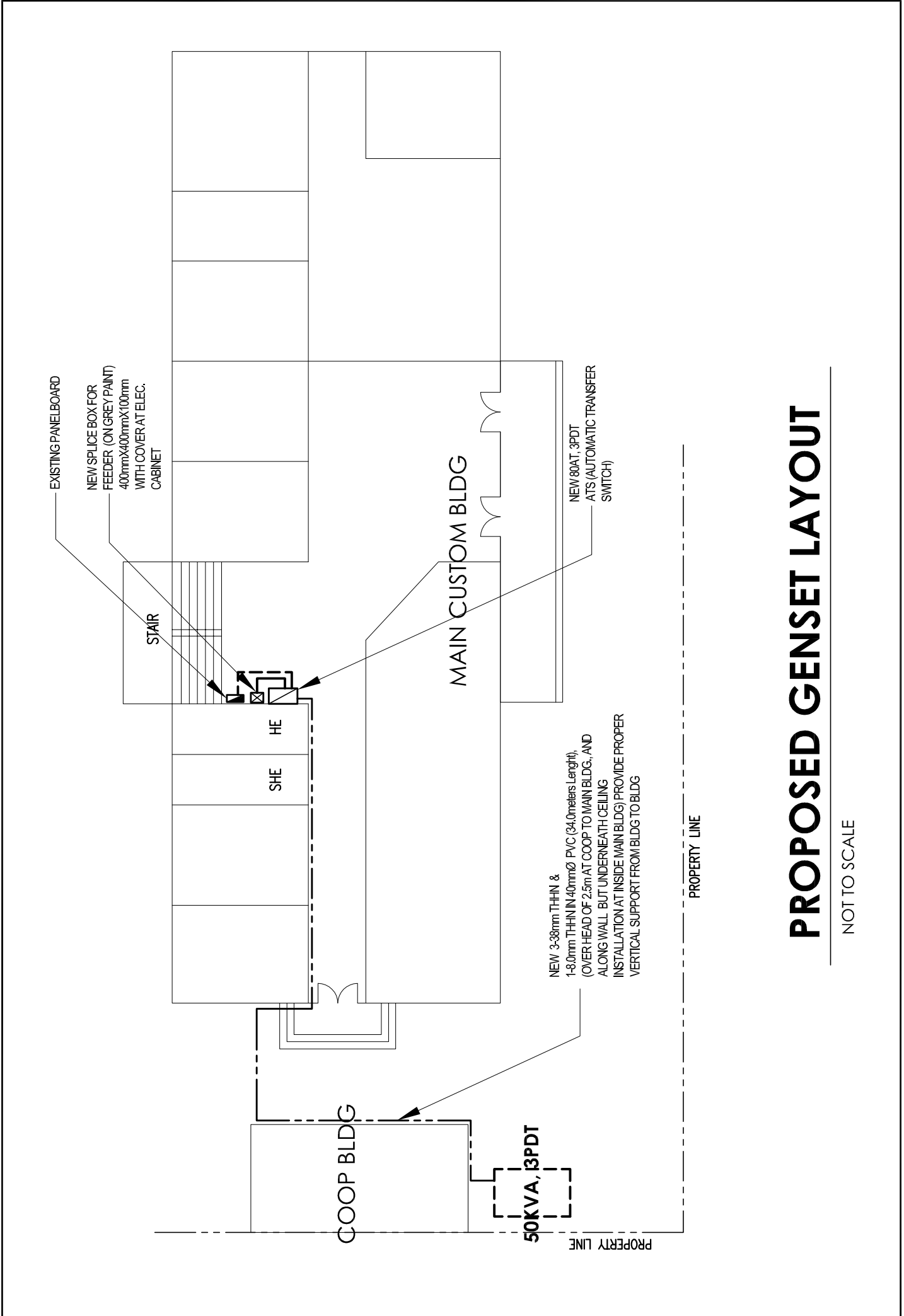
Having examined the Bidding Documents including Bid Bulletin Numbers *[insert numbers]*, the receipt of which is hereby duly acknowledged, we, the undersigned, offer to the BOC, our services for the project, **Supply, Delivery, Installation, Testing and Commissioning of Generator Sets with Automatic Transfer Switch**, in conformity with the said Bidding Documents for the sum of _____.

Description/Model	Qty./ Unit	Location	Unit Cost (Inclusive of VAT)	TOTAL
Rewiring of 100Amps ATS with 32KVA Generator Set, 3Phase, 220/240V, 60Hz, (Brand New, Outdoor, Silent Type, Diesel Power with platform)	2 sets	Legaspi, Zamboanga		
Rewiring of 125Amps ATS with 50KVA Generator Set, 3Phase, 220/240V, 60Hz, (Brand New, Outdoor, Silent Type, Diesel Power with platform)	1 set	Cagayan De Oro		
Rewiring of 300Amps ATS with 125KVA Generator Set, 3Phase, 220/240V, 60Hz, (Brand New, Outdoor, Silent Type, Diesel Power with platform)	3 sets	Davao, Batangas, Port of Manila		
TOTAL				

We undertake, if our Bid is accepted, to deliver the goods in accordance with the delivery schedule specified in the Schedule of Requirements.


If our Bid is accepted, we undertake to provide a performance security in the form, amounts, and within the times specified in the Bidding Documents.

We agree to abide by this Bid for the Bid Validity Period specified in **BDS** provision for **ITB** Clause 18.2 and it shall remain binding upon us and may be accepted at any time before the expiration of that period.



PROPOSED GENSET LAYOUT

NOT TO SCALE

	<p>NOTE: DRAWINGS AND SPECIFICATIONS DULY STAMPED OR SEALED AS INSTRUMENT OF SERVICE ARE THE PROPERTIES AND DOCUMENTS OF THE ARCHITECT, WHETHER THE OBJECT WHICH THEY ARE MADE IS EXECUTED OR NOT. IT SHALL BE UNLAWFUL FOR ANY PERSON, WITHOUT THE WRITTEN CONSENT OF THE ARCHITECT OR AUTHOR OF SAID DOCUMENTS TO DUPLICATE OR TO MAKE COPIES OF SAID DOCUMENTS FOR USE IN THE REPETITION OF AND FOR OTHER PROJECTS OR BUILDING. ALL DRAWINGS ARE TO BE RETURNED WHEN NO LONGER IN USE. RA 545 SEC. 25(4)</p>	<p>CLIENT:</p> <p style="text-align: center;">BUREAU OF CUSTOMS</p>	<p>TITLE:</p> <p style="text-align: center;">ATS & GENSET SET-UP</p>	<p>DRAWN BY:</p> <p style="text-align: center;">bOgS</p>
		<p>LOCATION:</p> <p style="text-align: center;">BUREAU OF CUSTOMS PORT OF CAGAYAN DE ORO</p>	<p>CONFORME:</p>	<p>DATE:</p> <p style="text-align: center;">050715</p>

LEGEND:

— FEEDER LINE (FROM SUPPLY GOING TO ATS)

- - - LOAD SIDE SUPPLY LINE
(FROM ATS GOING TO PANELBOARDS)

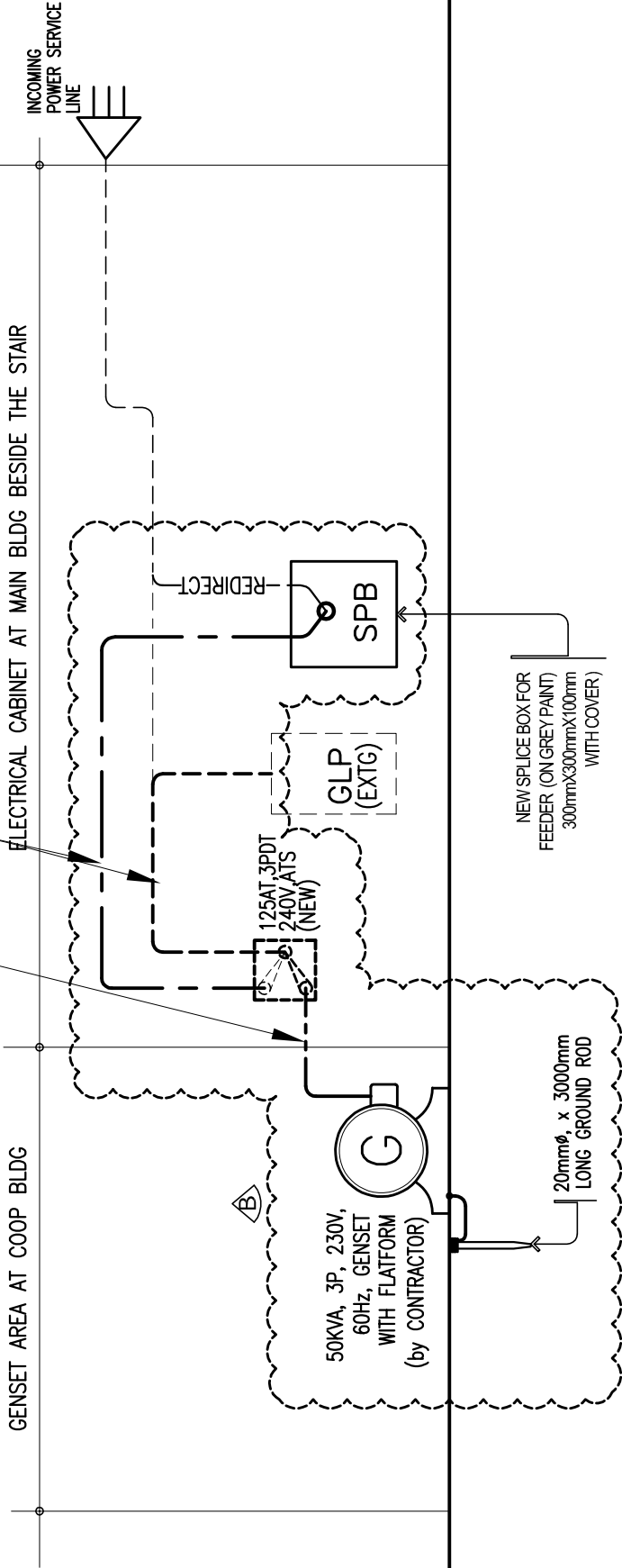
- - - FROM GENSET SUPPLY LINE
(FROM GENSET TO ATS)

△ WORK SCOPE BY OWNER

◻ WORK SCOPE BY CONTRACTOR

NEW 3-38mm THHN &
1-8.0mm THHN IN 40mmØ PVC (34.0meters Length),
(OVER HEAD OF 2.5m AT COOP TO MAIN BLDG., AND
ALONG WALL BUT UNDERNEATH CEILING
INSTALLATION AT INSIDE MAIN BLDG) PROVIDE
PROPER VERTICAL SUPPORT

NEW 3-38mm THHN &
1-8.0mm THHN IN 40mmØ PVC (3.0meters Length),
(ALONG WALL INSTALLATION)



POWER RISER DIAGRAM



NOTE:
DRAWINGS AND SPECIFICATIONS DULY
STAMPED OR SEALED AS INSTRUMENT
OF SERVICE ARE THE PROPERTIES AND
DOCUMENTS OF THE ARCHITECT, WHETHER
THE OBJECT WHICH THEY ARE MADE IS
EXECUTED OR NOT. IT SHALL BE UNLAWFUL
FOR ANY PERSON, WITHOUT THE WRITTEN
CONSENT OF THE ARCHITECT OR AUTHOR
OF SAID DOCUMENTS TO DUPLICATE OR TO
MAKE COPIES OF SAID DOCUMENTS FOR USE
IN THE REPETITION OF AND FOR OTHER
PROJECTS OR BUILDING. ALL DRAWINGS ARE
TO BE RETURNED WHEN NO LONGER IN USE.
RA 545 SEC. 25(4)

CLIENT:

BUREAU OF CUSTOMS

LOCATION:

**BUREAU OF CUSTOMS PORT OF
CAGAYAN DE ORO**

TITLE:

**ATS & GENSET
SET-UP**

CONFORME:

DRAWN BY:

bOgS

DATE:

050715

LEGEND:

—— FEEDER LINE (FROM SUPPLY GOING TO ATS)

—— LOAD SIDE SUPPLY LINE (FROM ATS GOING TO PANELBOARDS)

—— FROM GENSET SUPPLY LINE (FROM GENSET TO ATS)

WORK SCOPE BY OWNER

WORK SCOPE BY CONTRACTOR



NOTE:

DRAWINGS AND SPECIFICATIONS DULY STAMPED OR SEALED AS INSTRUMENT OF SERVICE ARE THE PROPERTIES AND DOCUMENTS OF THE ARCHITECT, WHETHER THE OBJECT WHICH THEY ARE MADE IS EXECUTED OR NOT. IT SHALL BE UNLAWFUL FOR ANY PERSON, WITHOUT THE WRITTEN CONSENT OF THE ARCHITECT OR AUTHOR OF SAID DOCUMENTS TO DUPLICATE OR TO MAKE COPIES OF SAID DOCUMENTS FOR USE IN THE REPETITION OF AND FOR OTHER PROJECTS OR BUILDING. ALL DRAWINGS ARE TO BE RETURNED WHEN NO LONGER IN USE.

RA 545 SEC. 25(4)

CLIENT:

BUREAU OF CUSTOMS

LOCATION:

BUREAU OF CUSTOMS PORT OF BATANGAS

TITLE:

ATS & GENSET SET-UP

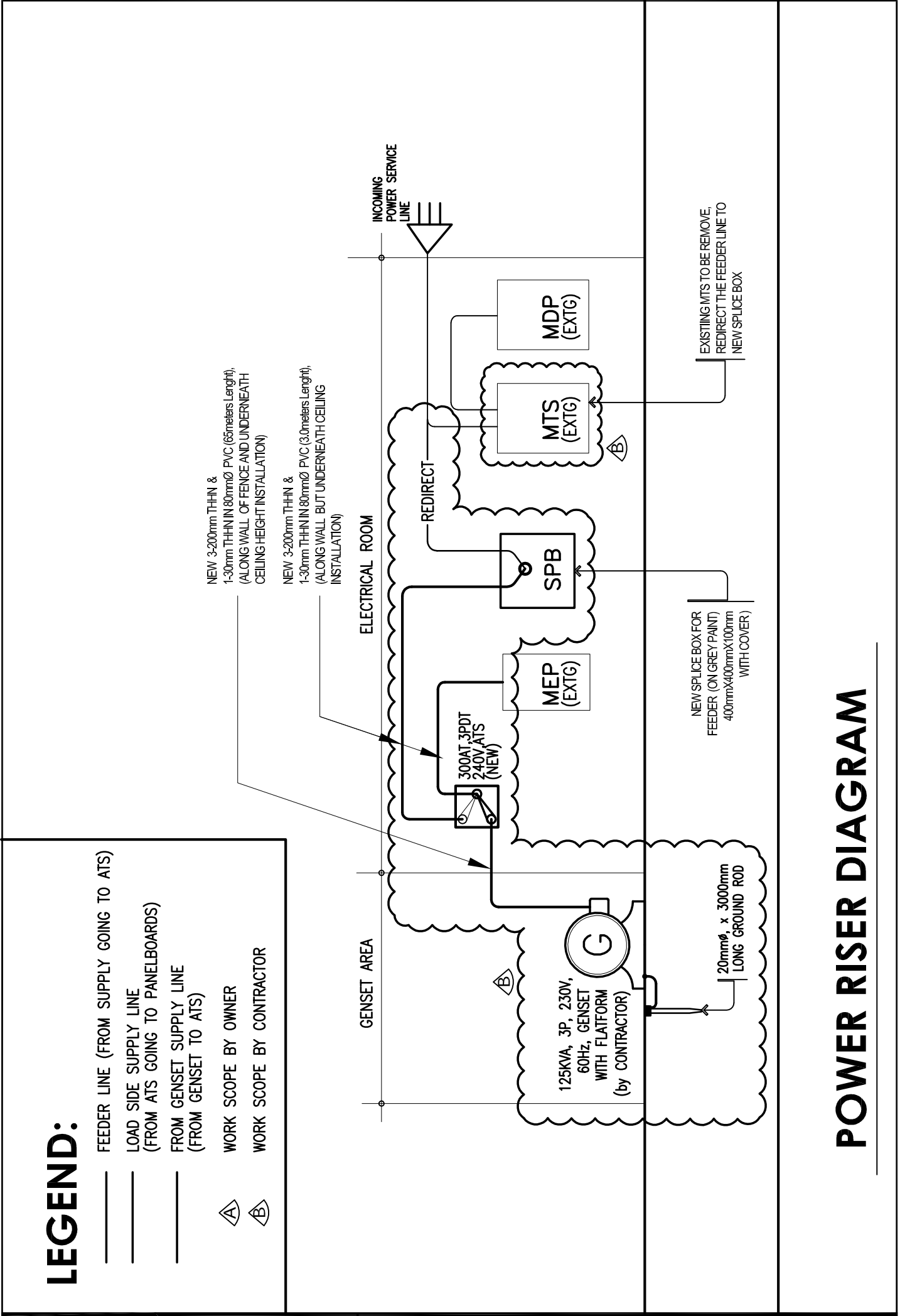
CONFORME:

DRAWN BY:

bOgS

DATE:

050715



POWER RISER DIAGRAM

LEGEND:

— FEEDER LINE (FROM SUPPLY GOING TO ATS)

— LOAD SIDE SUPPLY LINE (FROM ATS GOING TO PANELBOARDS)

— FROM GENSET SUPPLY LINE (FROM GENSET TO ATS)

— WORK SCOPE BY OWNER

— WORK SCOPE BY CONTRACTOR



NOTE:

DRAWINGS AND SPECIFICATIONS DULY STAMPED OR SEALED AS INSTRUMENT OF SERVICE ARE THE PROPERTIES AND DOCUMENTS OF THE ARCHITECT, WHETHER THE OBJECT WHICH THEY ARE MADE IS EXECUTED OR NOT. IT SHALL BE UNLAWFUL FOR ANY PERSON, WITHOUT THE WRITTEN CONSENT OF THE ARCHITECT OR AUTHOR OF SAID DOCUMENTS TO DUPLICATE OR TO MAKE COPIES OF SAID DOCUMENTS FOR USE IN THE REPETITION OF AND FOR OTHER PROJECTS OR BUILDING. ALL DRAWINGS ARE TO BE RETURNED WHEN NO LONGER IN USE.

RA 545 SEC. 25(4)



CLIENT:

BUREAU OF CUSTOMS

LOCATION:

BUREAU OF CUSTOMS PORT OF DAVAO

TITLE:

ATS & GENSET SET-UP

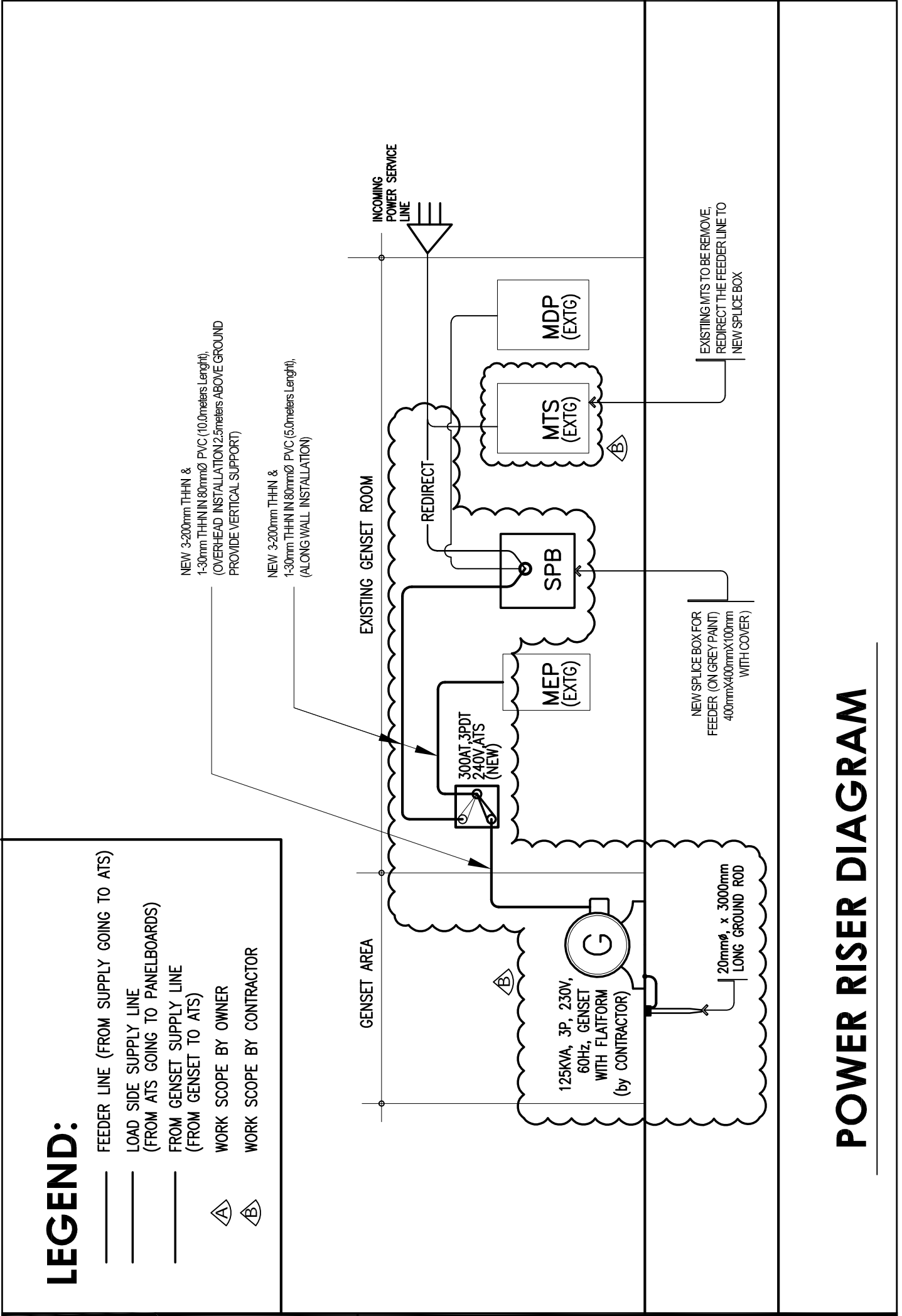
CONFORME:

DRAWN BY:

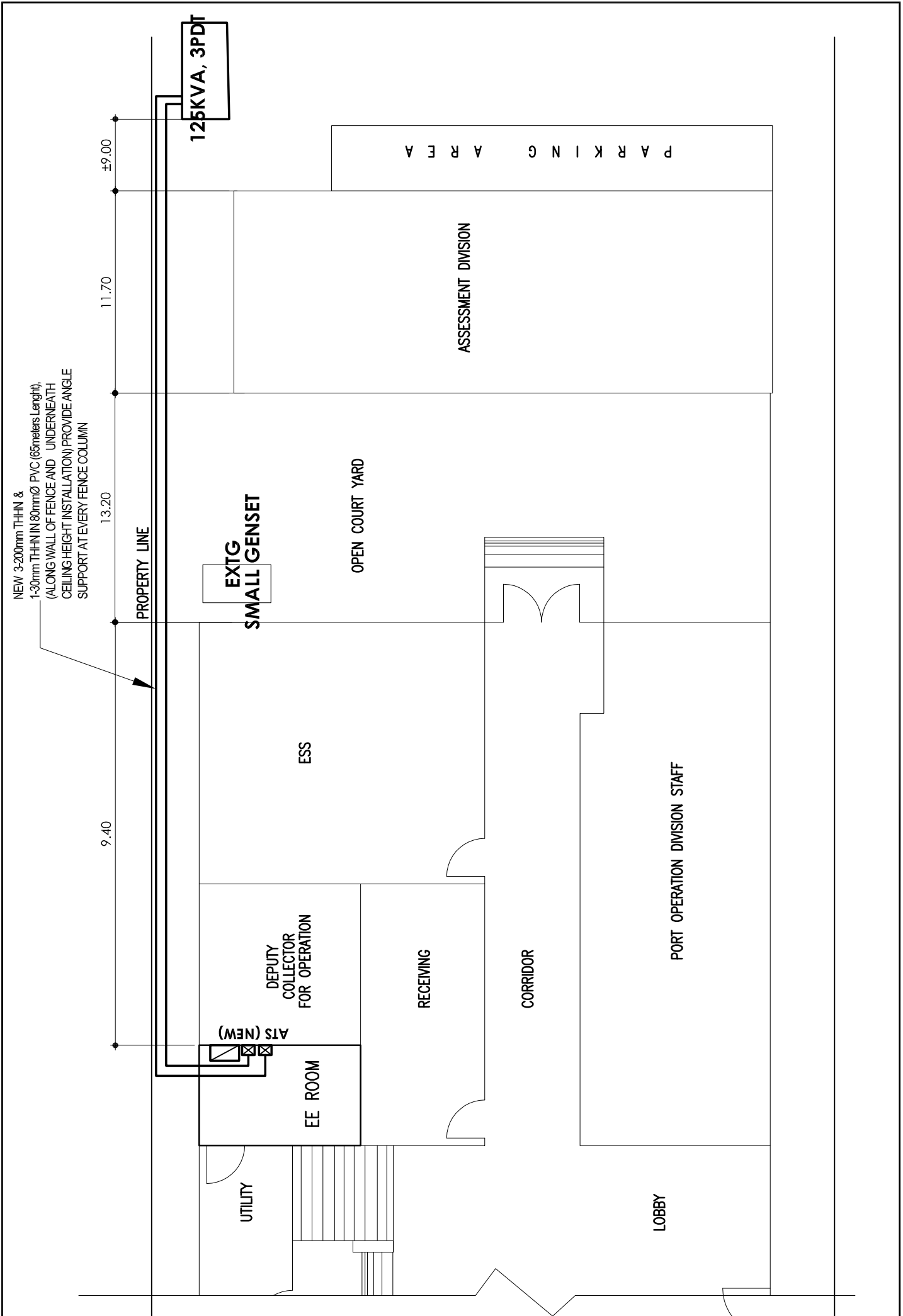
bOgS


DATE:

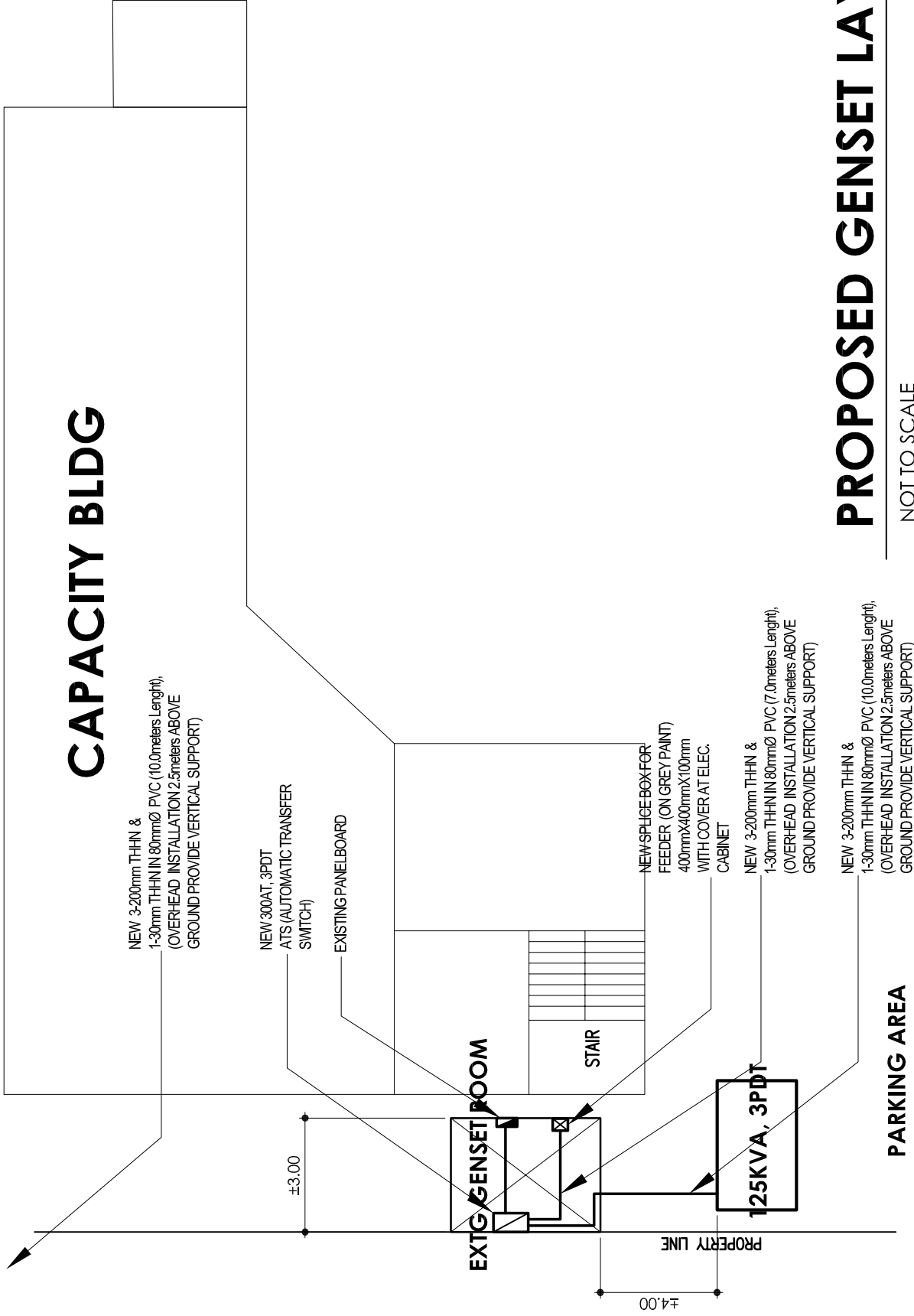
060415



POWER RISER DIAGRAM



	NOTE: DRAWINGS AND SPECIFICATIONS DULY STAMPED OR SEALED AS INSTRUMENT OF SERVICE ARE THE PROPERTIES AND DOCUMENTS OF THE ARCHITECT, WHETHER THE OBJECT WHICH THEY ARE MADE IS EXECUTED OR NOT. IT SHALL BE UNLAWFUL FOR ANY PERSON, WITHOUT THE WRITTEN CONSENT OF THE ARCHITECT OR AUTHOR OF SAID DOCUMENTS TO DUPLICATE OR TO MAKE COPIES OF SAID DOCUMENTS FOR USE IN THE REPETITION OF AND FOR OTHER PROJECTS OR BUILDING. ALL DRAWINGS ARE TO BE RETURNED WHEN NO LONGER IN USE. RA 545 SEC. 25(4)	CLIENT: BUREAU OF CUSTOMS	TITLE: ATS & GENSET SET-UP	DRAWN BY: bOgS
		LOCATION: BUREAU OF CUSTOMS PORT OF BATANGAS	CONFORME:	DATE: 060415



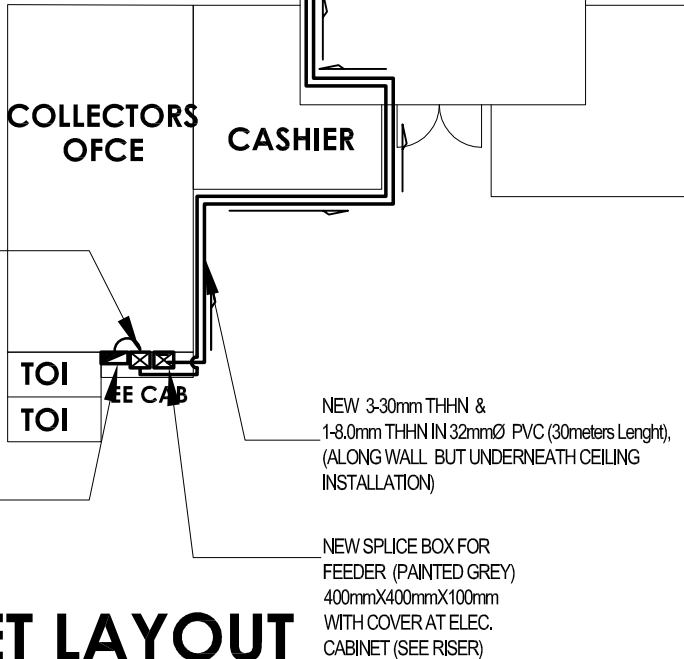
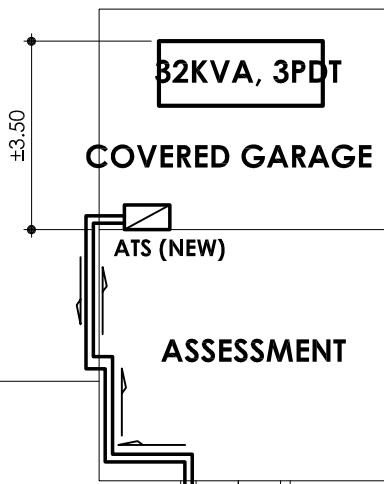
NOTE:
 DRAWINGS AND SPECIFICATIONS DULY STAMPED OR SEALED AS INSTRUMENT OF SERVICE ARE THE PROPERTIES AND DOCUMENTS OF THE ARCHITECT, WHETHER THE OBJECT WHICH THEY ARE MADE IS EXECUTED OR NOT. IT SHALL BE UNLAWFUL FOR ANY PERSON, WITHOUT THE WRITTEN CONSENT OF THE ARCHITECT OR AUTHOR OF SAID DOCUMENTS TO DUPLICATE OR TO MAKE COPIES OF SAID DOCUMENTS FOR USE IN THE REPETITION OF AND FOR OTHER PROJECTS OR BUILDING. ALL DRAWINGS ARE TO BE RETURNED WHEN NO LONGER IN USE.
 RA 545 SEC. 25(4)

CLIENT:	BUREAU OF CUSTOMS
LOCATION:	BUREAU OF CUSTOMS PORT OF DAVAO

TITLE:	ATS & GENSET SET-UP	DRAWN BY:	bOgS
CONFORME:		DATE:	060415

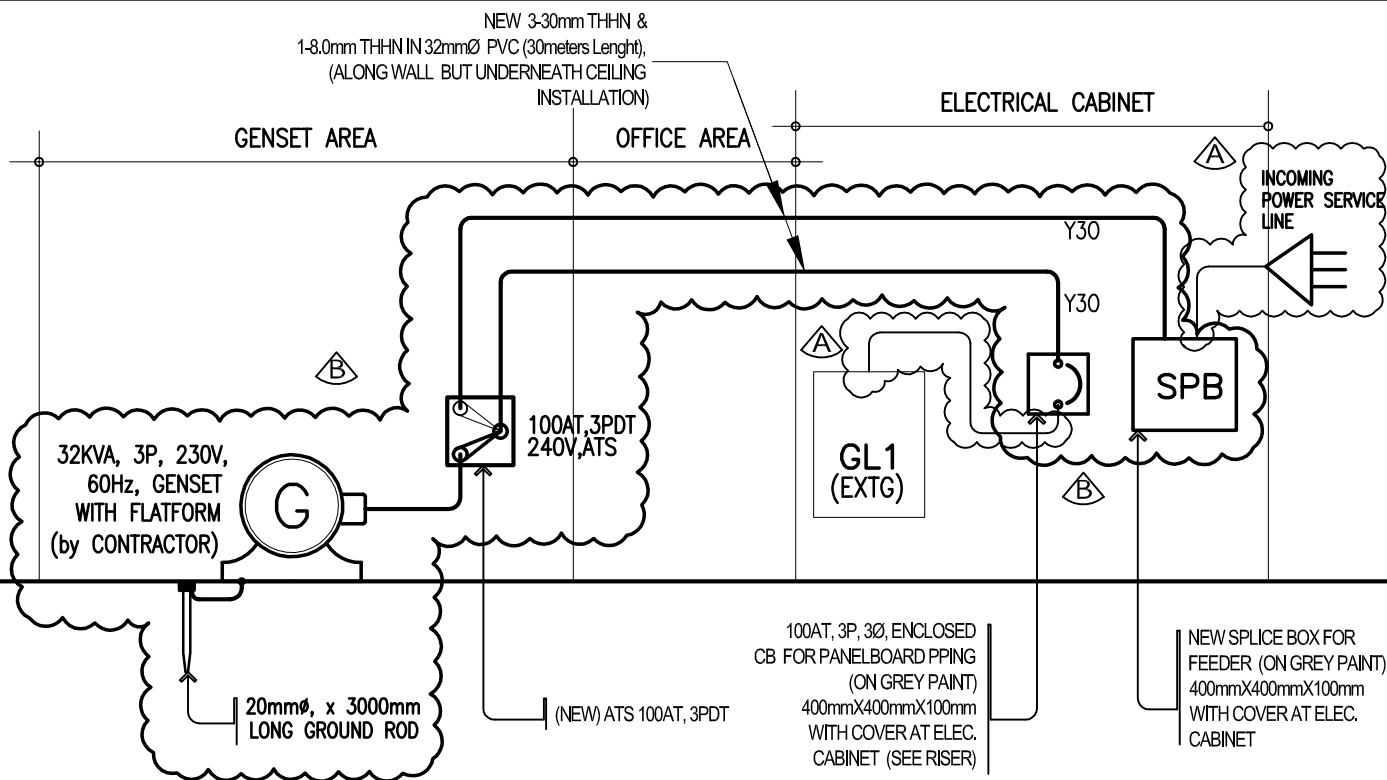
LEGEND:

- FEEDER LINE (FROM SUPPLY GOING TO ATS)
- LOAD SIDE SUPPLY LINE (FROM ATS GOING TO PANELBOARDS)
- Ⓐ WORK SCOPE BY OWNER
- Ⓑ WORK SCOPE BY CONTRACTOR



PROPOSED GENSET LAYOUT

NOT TO SCALE



POWER RISER DIAGRAM



NOTE:
DRAWINGS AND SPECIFICATIONS DULY STAMPED OR SEALED AS INSTRUMENT OF SERVICE ARE THE PROPERTIES AND DOCUMENTS OF THE ARCHITECT, WHETHER THE OBJECT WHICH THEY ARE MADE IS EXECUTED OR NOT. IT SHALL BE UNLAWFUL FOR ANY PERSON, WITHOUT THE WRITTEN CONSENT OF THE ARCHITECT OR AUTHOR OF SAID DOCUMENTS TO DUPLICATE OR TO MAKE COPIES OF SAID DOCUMENTS FOR USE IN THE REPETITION OF AND FOR OTHER PROJECTS OR BUILDING. ALL DRAWINGS ARE TO BE RETURNED WHEN NO LONGER IN USE.
RA 545 SEC. 25(4)

CLIENT:	TITLE:	DRAWN BY:
BUREAU OF CUSTOMS	ATS & GENSET SET-UP	bOgS
LOCATION:	CONFORME:	DATE:
BUREAU OF CUSTOMS PORT OF LEGASPI		060415



**EXISTING ELECTRICAL GENSET
TO RELOCATE, THIS IS THE AREA FOR
THE LOCATION OF NEW 125KVA GENSET**



NOTE:
DRAWINGS AND SPECIFICATIONS DULY STAMPED OR SEALED AS INSTRUMENT OF SERVICE ARE THE PROPERTIES AND DOCUMENTS OF THE ARCHITECT, WHETHER THE OBJECT WHICH THEY ARE MADE IS EXECUTED OR NOT. IT SHALL BE UNLAWFUL FOR ANY PERSON, WITHOUT THE WRITTEN CONSENT OF THE ARCHITECT OR AUTHOR OF SAID DOCUMENTS TO DUPLICATE OR TO MAKE COPIES OF SAID DOCUMENTS FOR USE IN THE REPETITION OF AND FOR OTHER PROJECTS OR BUILDING. ALL DRAWINGS ARE TO BE RETURNED WHEN NO LONGER IN USE.
RA 545 SEC. 25(4)

CLIENT:	BUREAU OF CUSTOMS	TITLE:	GENSET IMAGES	DRAWN BY:	bOgS
LOCATION:	BUREAU OF CUSTOMS PORT OF BATANGAS	CONFORME:		DATE:	050715

PROPOSED LOCATION



**PROPOSED LOCATION
FOR NEW GENSET (BESIDE COOP BLDG)**



NOTE:
DRAWINGS AND SPECIFICATIONS DULY STAMPED OR SEALED AS INSTRUMENT OF SERVICE ARE THE PROPERTIES AND DOCUMENTS OF THE ARCHITECT, WHETHER THE OBJECT WHICH THEY ARE MADE IS EXECUTED OR NOT. IT SHALL BE UNLAWFUL FOR ANY PERSON, WITHOUT THE WRITTEN CONSENT OF THE ARCHITECT OR AUTHOR OF SAID DOCUMENTS TO DUPLICATE OR TO MAKE COPIES OF SAID DOCUMENTS FOR USE IN THE REPETITION OF AND FOR OTHER PROJECTS OR BUILDING. ALL DRAWINGS ARE TO BE RETURNED WHEN NO LONGER IN USE.
RA 545 SEC. 25(4)

CLIENT:

BUREAU OF CUSTOMS

LOCATION:

**BUREAU OF CUSTOMS PORT OF
CAGAYAN DE ORO**

TITLE:

**GENSET
IMAGES**

CONFORME:

DRAWN BY:

bOgS

DATE:

050715



PROPOSED LOCATION OF NEW GENSET

PROPOSED LOCATION FOR NEW GENSET (BESIDE THE CAPACITY BLDG INFRONT OF EXISTING GENSET ROOM)



PROPOSED LOACTION OF NEW 300AT ATS AT GENSET ROOM



NOTE:
DRAWINGS AND SPECIFICATIONS DULY STAMPED OR SEALED AS INSTRUMENT OF SERVICE ARE THE PROPERTIES AND DOCUMENTS OF THE ARCHITECT, WHETHER THE OBJECT WHICH THEY ARE MADE IS EXECUTED OR NOT. IT SHALL BE UNLAWFUL FOR ANY PERSON, WITHOUT THE WRITTEN CONSENT OF THE ARCHITECT OR AUTHOR OF SAID DOCUMENTS TO DUPLICATE OR TO MAKE COPIES OF SAID DOCUMENTS FOR USE IN THE REPETITION OF AND FOR OTHER PROJECTS OR BUILDING. ALL DRAWINGS ARE TO BE RETURNED WHEN NO LONGER IN USE.
RA 545 SEC. 25(4)

CLIENT:	BUREAU OF CUSTOMS	TITLE:	GENSET IMAGES	DRAWN BY:	bOgS
LOCATION:	BUREAU OF CUSTOMS PORT OF DAVAO	CONFORME:		DATE:	050715



**PROPOSED LOCATION
FOR NEW GENSET (REAR PORTION OF THE BLDG)**



**EXISTING ELECTRICAL
PANELBOARD WITH 100AT, 2POLE
SINGLE PHASE**



NOTE:
DRAWINGS AND SPECIFICATIONS DULY STAMPED OR SEALED AS INSTRUMENT OF SERVICE ARE THE PROPERTIES AND DOCUMENTS OF THE ARCHITECT, WHETHER THE OBJECT WHICH THEY ARE MADE IS EXECUTED OR NOT. IT SHALL BE UNLAWFUL FOR ANY PERSON, WITHOUT THE WRITTEN CONSENT OF THE ARCHITECT OR AUTHOR OF SAID DOCUMENTS TO DUPLICATE OR TO MAKE COPIES OF SAID DOCUMENTS FOR USE IN THE REPETITION OF AND FOR OTHER PROJECTS OR BUILDING. ALL DRAWINGS ARE TO BE RETURNED WHEN NO LONGER IN USE.
RA 545 SEC. 25(4)

CLIENT:	BUREAU OF CUSTOMS	TITLE:	GENSET IMAGES	DRAWN BY:	bOgS
LOCATION:	BUREAU OF CUSTOMS PORT OF LEGASPI	CONFORME:		DATE:	050715



PROPOSED LOCATION FOR NEW GENSET (REAR PORTION OF STAIR)



EXISTING PANELBOARDS



PROPOSED LOCATION OF NEW ATS BESIDE EXISTING ELECTRICAL PANELBOARD



NOTE:
DRAWINGS AND SPECIFICATIONS DULY STAMPED OR SEALED AS INSTRUMENT OF SERVICE ARE THE PROPERTIES AND DOCUMENTS OF THE ARCHITECT, WHETHER THE OBJECT WHICH THEY ARE MADE IS EXECUTED OR NOT. IT SHALL BE UNLAWFUL FOR ANY PERSON, WITHOUT THE WRITTEN CONSENT OF THE ARCHITECT OR AUTHOR OF SAID DOCUMENTS TO DUPLICATE OR TO MAKE COPIES OF SAID DOCUMENTS FOR USE IN THE REPETITION OF AND FOR OTHER PROJECTS OR BUILDING. ALL DRAWINGS ARE TO BE RETURNED WHEN NO LONGER IN USE.
RA 545 SEC. 25(4)

CLIENT:

BUREAU OF CUSTOMS

LOCATION:

BUREAU OF CUSTOMS PORT OF ZAMBOANGA

TITLE:

GENSET IMAGES

CONFORME:

DRAWN BY:

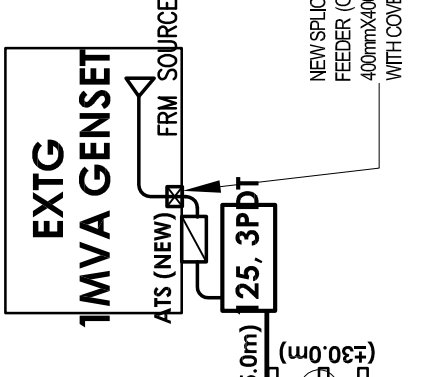
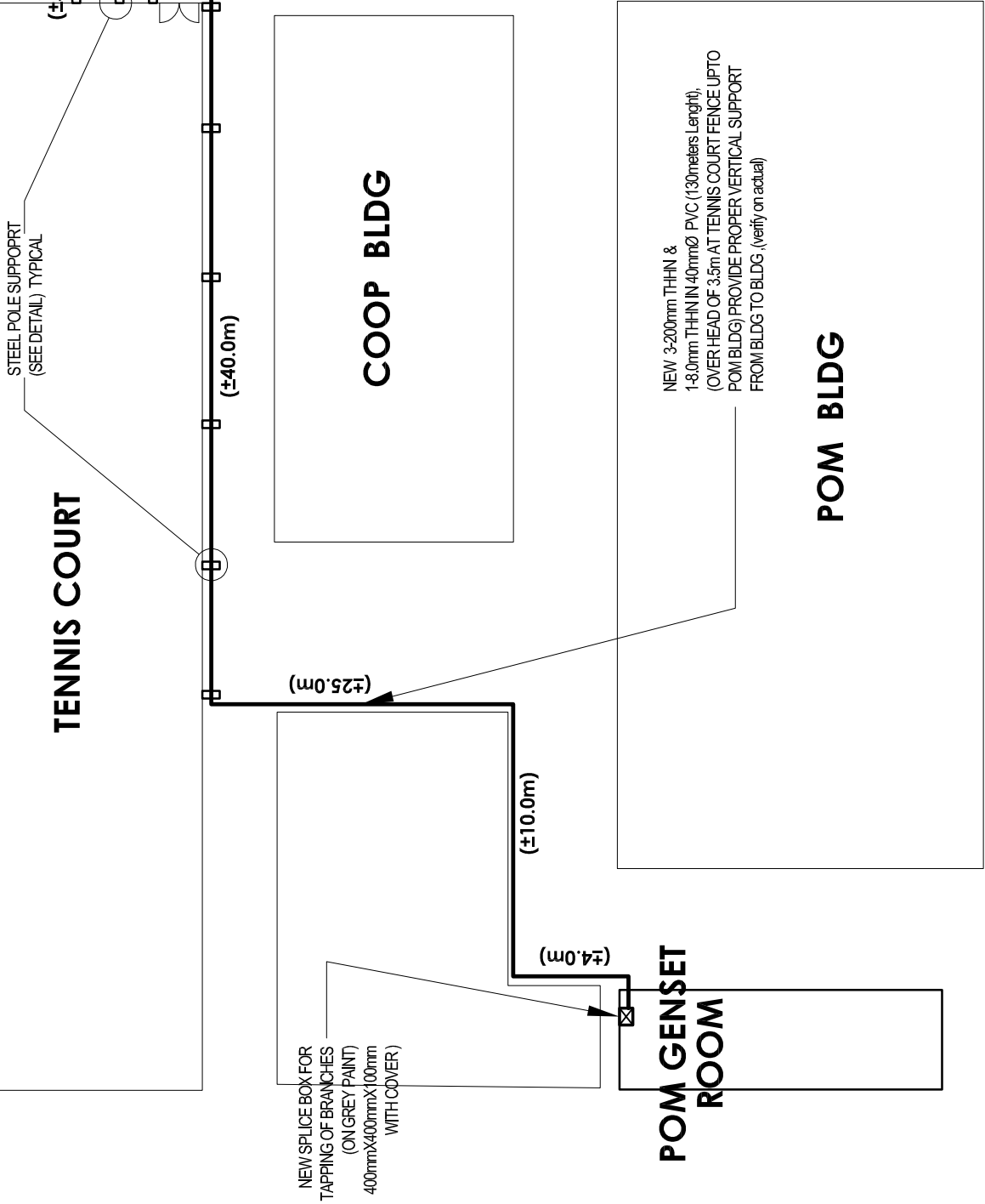
bOgS

DATE:

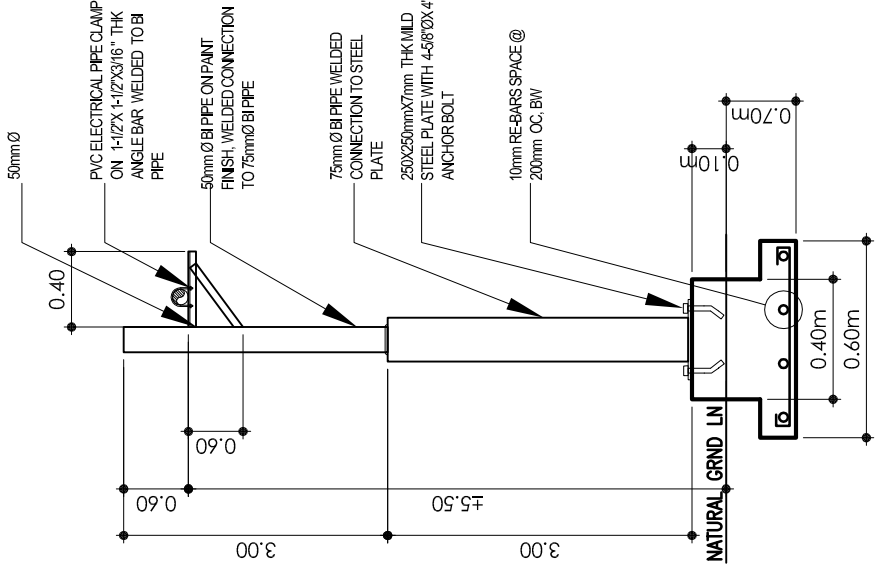
050715

PROPOSED GENSET LAYOUT

NOT TO SCALE



STEEL POLE SUPPORT



NOTE:
DRAWINGS AND SPECIFICATIONS DULY STAMPED OR SEALED AS INSTRUMENT OF SERVICE ARE THE PROPERTIES AND DOCUMENTS OF THE ARCHITECT, WHETHER THE OBJECT WHICH THEY ARE MADE IS EXECUTED OR NOT. IT SHALL BE UNLAWFUL FOR ANY PERSON, WITHOUT THE WRITTEN CONSENT OF THE ARCHITECT OR AUTHOR OF SAID DOCUMENTS TO DUPLICATE OR TO MAKE COPIES OF SAID DOCUMENTS FOR USE IN THE REPETITION OF AND FOR OTHER PROJECTS OR BUILDING. ALL DRAWINGS ARE TO BE RETURNED WHEN NO LONGER IN USE.
RA 545 SEC. 25(4)

CLIENT:	BUREAU OF CUSTOMS
LOCATION:	BUREAU OF CUSTOMS PORT OF MANILA (POM)

TITLE:	ATS & GENSET SET-UP	DRAWN BY:	bOgS
CONFORME:		DATE:	050715



PROPOSED NEW
300AT, ATS LOCATION

**PROPOSED LOCATION
FOR NEW GENSET (INFRONT
OF 1MVA GENSET ROOM)**

PROPOSED LOCATION FOR NEW
125KVA GENSET



NOTE:
DRAWINGS AND SPECIFICATIONS DULY STAMPED OR SEALED AS INSTRUMENT OF SERVICE ARE THE PROPERTIES AND DOCUMENTS OF THE ARCHITECT, WHETHER THE OBJECT WHICH THEY ARE MADE IS EXECUTED OR NOT. IT SHALL BE UNLAWFUL FOR ANY PERSON, WITHOUT THE WRITTEN CONSENT OF THE ARCHITECT OR AUTHOR OF SAID DOCUMENTS TO DUPLICATE OR TO MAKE COPIES OF SAID DOCUMENTS FOR USE IN THE REPETITION OF AND FOR OTHER PROJECTS OR BUILDING. ALL DRAWINGS ARE TO BE RETURNED WHEN NO LONGER IN USE.
RA 545 SEC. 25(4)

CLIENT:

BUREAU OF CUSTOMS

LOCATION:

**BUREAU OF CUSTOMS PORT OF
MANILA (POM)**

TITLE:

**GENSET
IMAGES**

CONFORME:

DRAWN BY:

bOgS

DATE:

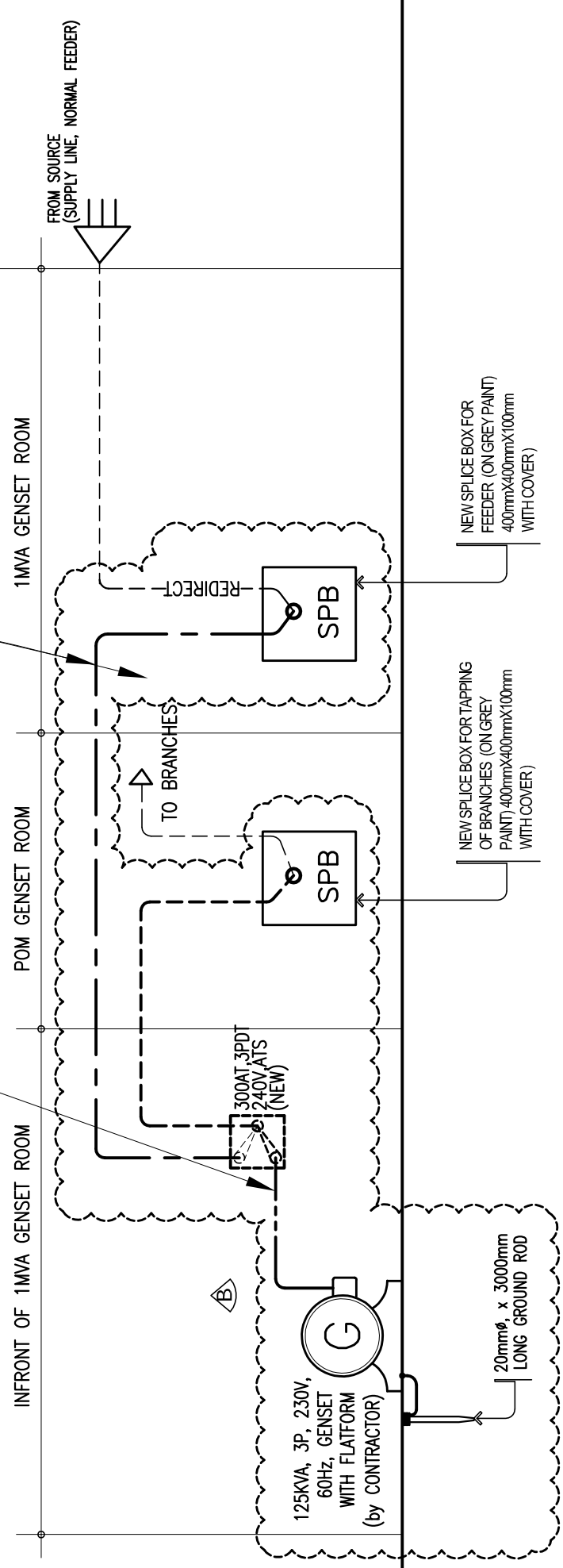
050715

LEGEND:

- FEEDER LINE (FROM SUPPLY GOING TO ATS)
- - - LOAD SIDE SUPPLY LINE (FROM ATS GOING TO PANELBOARDS)
- - - FROM GENSET SUPPLY LINE (FROM GENSET TO ATS)
- Ⓐ WORK SCOPE BY OWNER
- Ⓑ WORK SCOPE BY CONTRACTOR

NEW 3-200mm THHN & 1-80mm THHN IN 40mmØ PVC (130meters Length), (OVER HEAD OF 3.5m AT TENNIS COURT FENCE UP TO POM BLDG) PROVIDE PROPER VERTICAL SUPPORT FROM BLDG TO BLDG (verify on actual)

NEW 3-200mm THHN & 1-30mm THHN IN 80mmØ PVC (5.0meters Length), (ALONG WALL BUT UNDERNEATH CEILING INSTALLATION)

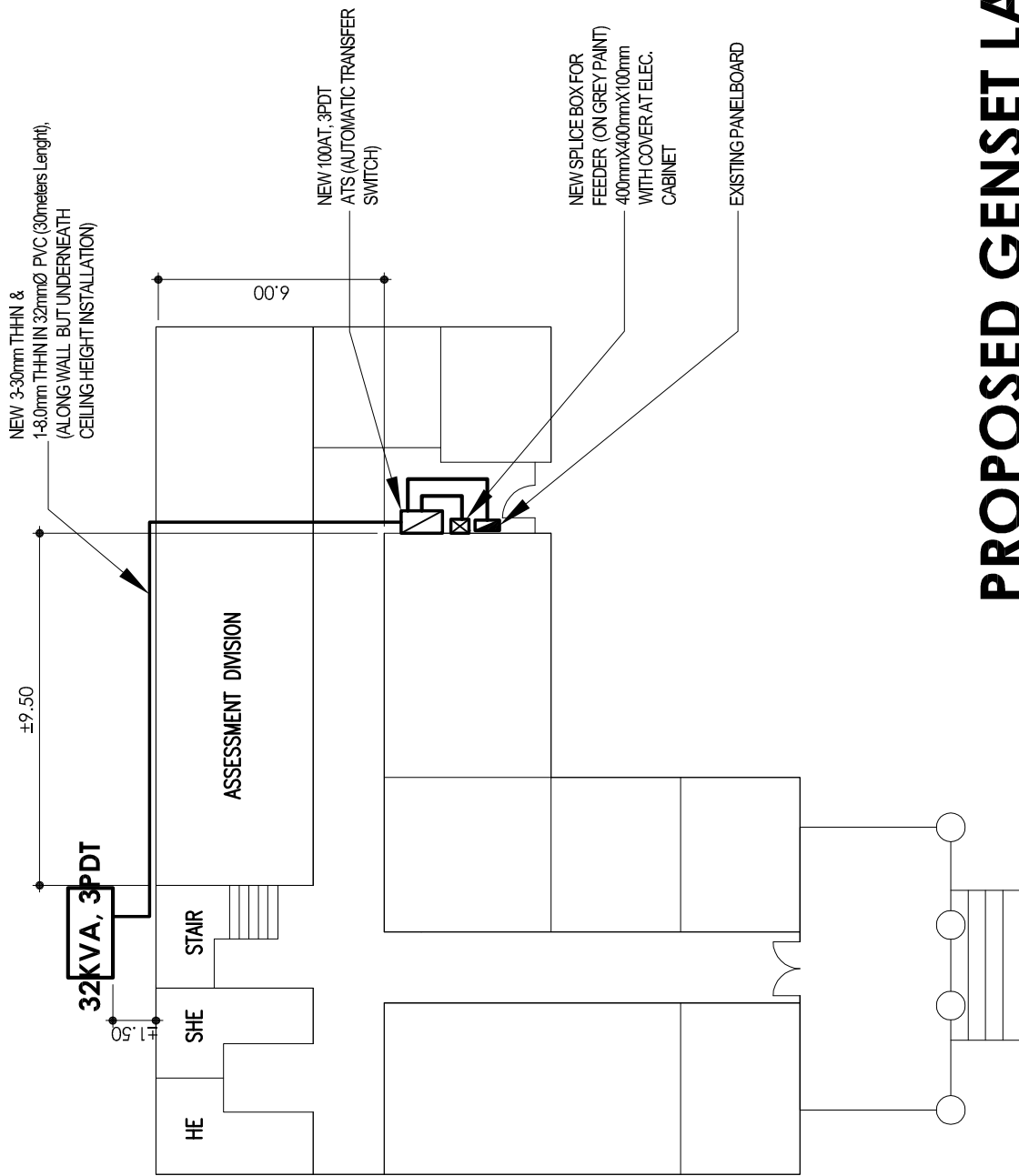


POWER RISER DIAGRAM



NOTE:
DRAWINGS AND SPECIFICATIONS DULY STAMPED OR SEALED AS INSTRUMENT OF SERVICE ARE THE PROPERTIES AND DOCUMENTS OF THE ARCHITECT, WHETHER THE OBJECT WHICH THEY ARE MADE IS EXECUTED OR NOT. IT SHALL BE UNLAWFUL FOR ANY PERSON, WITHOUT THE WRITTEN CONSENT OF THE ARCHITECT OR AUTHOR OF SAID DOCUMENTS TO DUPLICATE OR TO MAKE COPIES OF SAID DOCUMENTS FOR USE IN THE REPLICATION OF AND FOR OTHER PROJECTS OR BUILDING. ALL DRAWINGS ARE TO BE RETURNED WHEN NO LONGER IN USE.
RA 545 SEC. 25(4)

CLIENT:	BUREAU OF CUSTOMS	TITLE:	ATS & GENSET SET-UP	DRAWN BY:	bOgS
LOCATION:	BUREAU OF CUSTOMS PORT OF MANILA (POM)	CONFORME:		DATE:	050715



PROPOSED GENSET LAYOUT

NOT TO SCALE



NOTE:
DRAWINGS AND SPECIFICATIONS DULY STAMPED OR SEALED AS INSTRUMENT OF SERVICE ARE THE PROPERTIES AND DOCUMENTS OF THE ARCHITECT, WHETHER THE OBJECT WHICH THEY ARE MADE IS EXECUTED OR NOT. IT SHALL BE UNLAWFUL FOR ANY PERSON, WITHOUT THE WRITTEN CONSENT OF THE ARCHITECT OR AUTHOR OF SAID DOCUMENTS TO DUPLICATE OR TO MAKE COPIES OF SAID DOCUMENTS FOR USE IN THE REPETITION OF AND FOR OTHER PROJECTS OR BUILDING. ALL DRAWINGS ARE TO BE RETURNED WHEN NO LONGER IN USE.
RA 545 SEC. 25(4)

CLIENT:	BUREAU OF CUSTOMS
LOCATION:	BUREAU OF CUSTOMS PORT OF ZAMBOANGA

TITLE:	ATS & GENSET SET-UP	DRAWN BY:	bOgS
CONFORME:		DATE:	060415

LEGEND:

— FEEDER LINE (FROM SUPPLY GOING TO ATS)

— LOAD SIDE SUPPLY LINE (FROM ATS GOING TO PANELBOARDS)

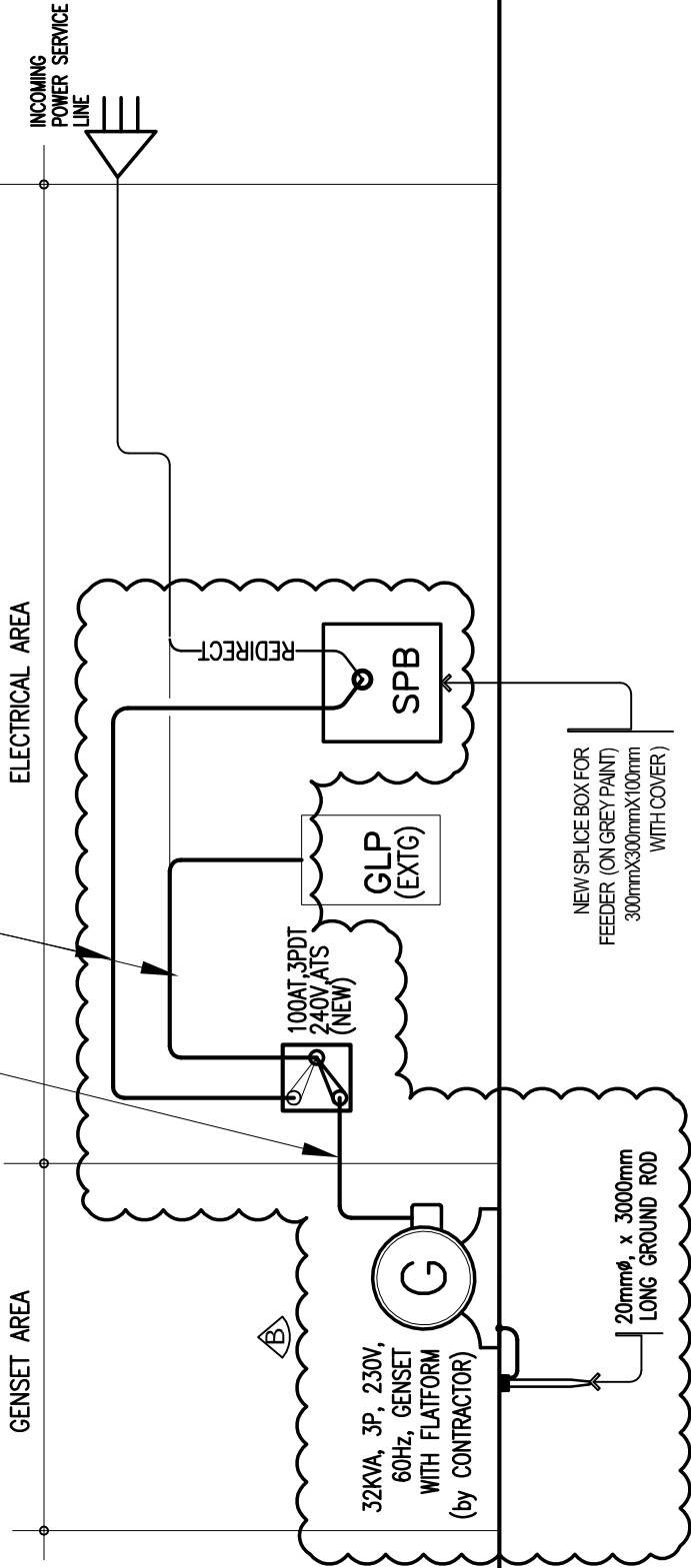
— FROM GENSET SUPPLY LINE (FROM GENSET TO ATS)

△ WORK SCOPE BY OWNER

⊕ WORK SCOPE BY CONTRACTOR

NEW 3-30mm THHN & 1-8.0mm THHN IN 32mmØ PVC (22meters Length), (ALONG WALL BUT UNDERNEATH CEILING INSTALLATION)

NEW 3-30mm THHN & 1-8.0mm THHN IN 32mmØ PVC (3.0meters Length), (ALONG WALL BUT UNDERNEATH CEILING INSTALLATION)



POWER RISER DIAGRAM



NOTE:
DRAWINGS AND SPECIFICATIONS DULY STAMPED OR SEALED AS INSTRUMENT OF SERVICE ARE THE PROPERTIES AND DOCUMENTS OF THE ARCHITECT, WHETHER THE OBJECT WHICH THEY ARE MADE IS EXECUTED OR NOT. IT SHALL BE UNLAWFUL FOR ANY PERSON, WITHOUT THE WRITTEN CONSENT OF THE ARCHITECT OR AUTHOR OF SAID DOCUMENTS TO DUPLICATE OR TO MAKE COPIES OF SAID DOCUMENTS FOR USE IN THE REPETITION OF AND FOR OTHER PROJECTS OR BUILDING. ALL DRAWINGS ARE TO BE RETURNED WHEN NO LONGER IN USE.
RA 545 SEC. 25(4)

CLIENT:

BUREAU OF CUSTOMS

LOCATION:

BUREAU OF CUSTOMS PORT OF ZAMBOANGA

TITLE:

ATS & GENSET SET-UP

CONFORME:

DRAWN BY:

bOgS

DATE:

060415